

# Adept Cobra™ s850

## Specifications

Reach	850 mm
Payload	10 kg (rated) 20 kg (max)
Adept Cycle	
Burst	TBD
Sustained	TBD
Allowable Inertia	
Axis 4 (Theta)	0.45 kgm <sup>2</sup>
Digital I/O Channels	Available on controller
Footprint	220 mm x 220 mm
Joint Ranges	
Joint 1	±165°
Joint 2	±147°
Joint 3	400 mm (Z-Stroke)
Joint 4	±360° (Theta)
Repeatability	±0.025 mm
Maximum force-fit	
98N (one second or less)	
Composite Speed	
11,000 mm/s (ToolCenter)	
Z	2,300 mm/s
T	1,540°/s
Mounting	Floor or Inverted
Weight	50 kg
Power Requirements	
3-phase 200-240VAC or	
380-415VAC, 15A, 50/60Hz	

Specifications subject to change without notice.



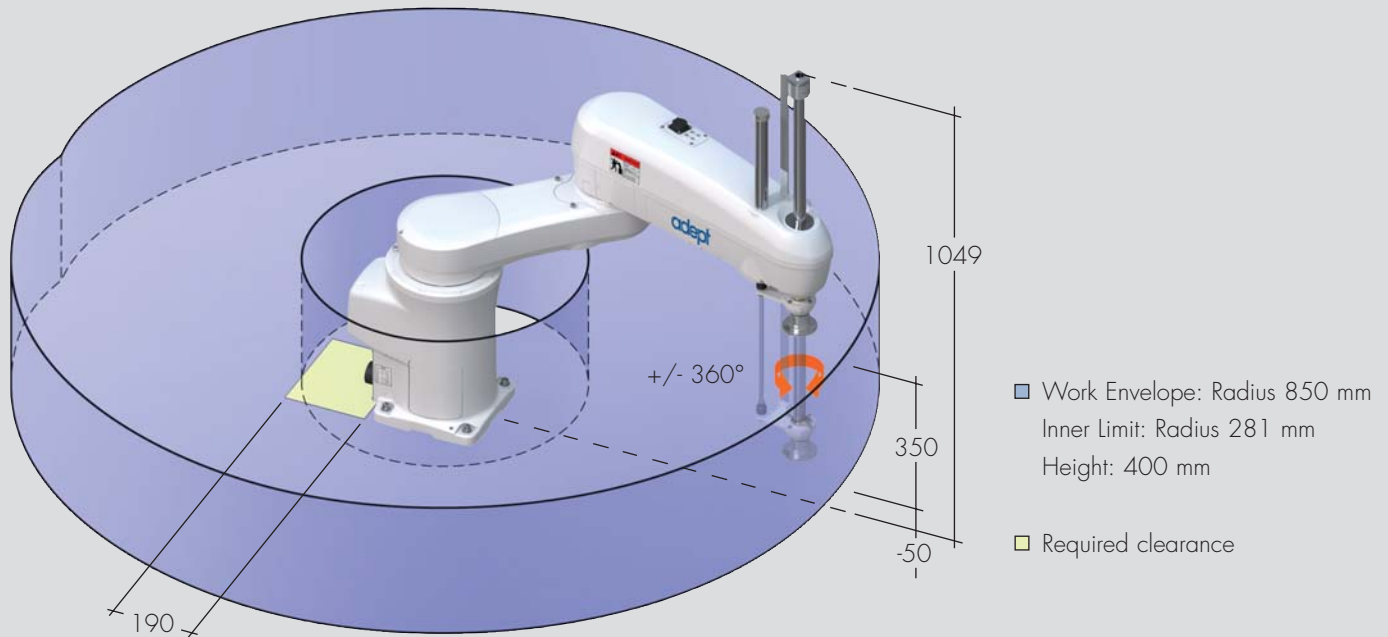
The Adept Cobra s850 4-degrees of freedom Scara robot is a high-performance robot system for case and carton loading, mechanical assembly, material handling, packaging, machine tending, screwdriving, and many other operations requiring fast and precise automation. Adept Cobra s850 robots are available in standard, inverted and IP65 configurations that offers the highest flexibility.

## Product Features and Benefits

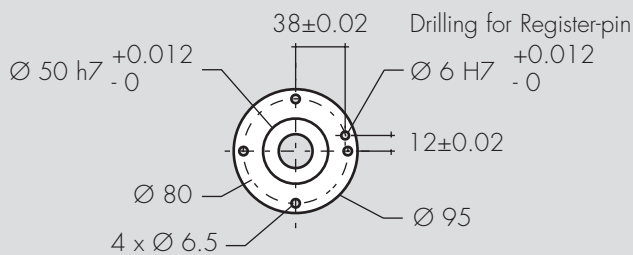
- Absolute encoders make for easy calibration
- High-resolution encoders provide high precision and superior slow-speed following
- High-efficiency motors deliver high performance with more torque per amp
- Low-inertia drives provide maximum acceleration
- Integrated temperature sensors on motors and amplifiers monitor heat and maximizes performance and reliability
- 8 kHz servo update for improved path following and control
- Diagnostics display on sDIA enables faster troubleshooting
- All cables running internally
- Compact foot print
- Proven reliability

# Adept Cobra™ s850

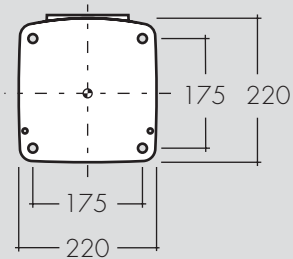
## Dimensions Adept Cobra s850 (mm)



## Dimensions Flange (mm)



## Dimensions foot plate (mm)



## The Adept Cobra s850 system includes the following

- Adept Cobra s850 Robot
- Adept SmartController CX (with software installed)
- PA-4 Chassis
- Front Panel with E-Stop
- AdeptWindows Software
- Network File Server (NFS) software
- Ethernet TCP/IP capability
- User Documentation

## Downloads

Download CAD files from [www.adept.com](http://www.adept.com)

## Optional Peripherals

- Pendant
- IO Blox (8 digital input & 8 digital output channels)
- sDIO (32 digital input & 32 digital output channels)
- AdeptSight or sAVI Vision system
- Dual Configuration
- Stop on digital input
- Also available in Ceiling Mounted and IP65 version



Adept Technology, Inc. 3011 Triad Drive, Livermore, CA 94551

Tel: 925-245-3400 Fax: 925-960-0452 Email: [info@adept.com](mailto:info@adept.com)

[www.adept.com](http://www.adept.com)

Specifications subject to change without notice.

©2008 Adept Technology, Inc. All rights reserved. Adept and the Adept logo are registered trademarks, and the Adept Cobra is a trademark of Adept Technology, Inc. All other trademarks are the property of their respective holders. ACS850PRE0708